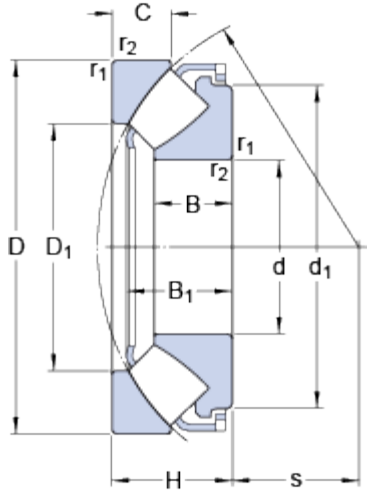


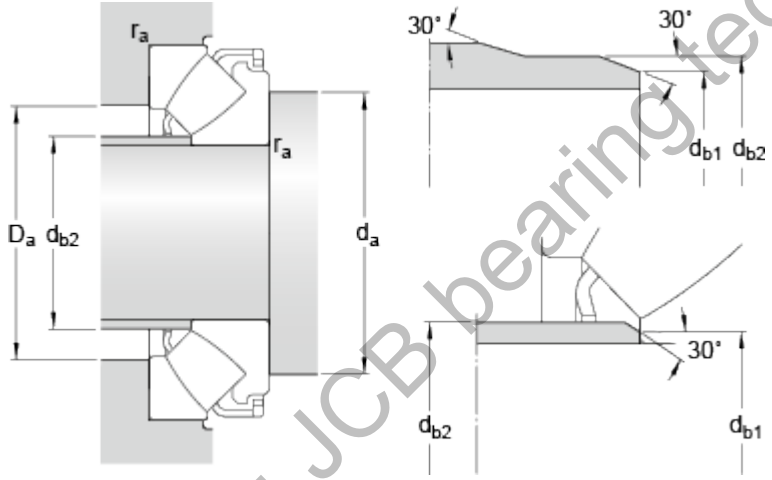
▶
29360

Dimensions



d	300	mm
D	480	mm
H	109	mm
d ₁	≈ 434	mm
D ₁	≈ 372	mm
B	70	mm
B ₁	98.9	mm
C	51	mm
s	168	mm
r _{1,2}	min. 5	mm

Abutment dimensions



d _a	min. 385	mm
d _{b1}	max. 313	mm
d _{b2}	max. 329	mm
D _a	max. 423	mm
r _a	max. 4	mm

Calculation data

Basic dynamic load rating	C	3100	kN
Basic static load rating	C ₀	10600	kN
Fatigue load limit	P _u	930	kN
Reference speed		750	r/min
Limiting speed		1200	r/min
Minimum axial load factor	A	11	

Mass

Mass bearing		75	kg
--------------	--	----	----